

Winona Concrete & Pipe Products Ltd.

489 Main Street West, Grimsby, Ontario L3M 1T4
 Ph. 905-945-8515 Email: info@winonaconcrete.com Fax. 905-945-1149

Concrete Catch Basins - LD

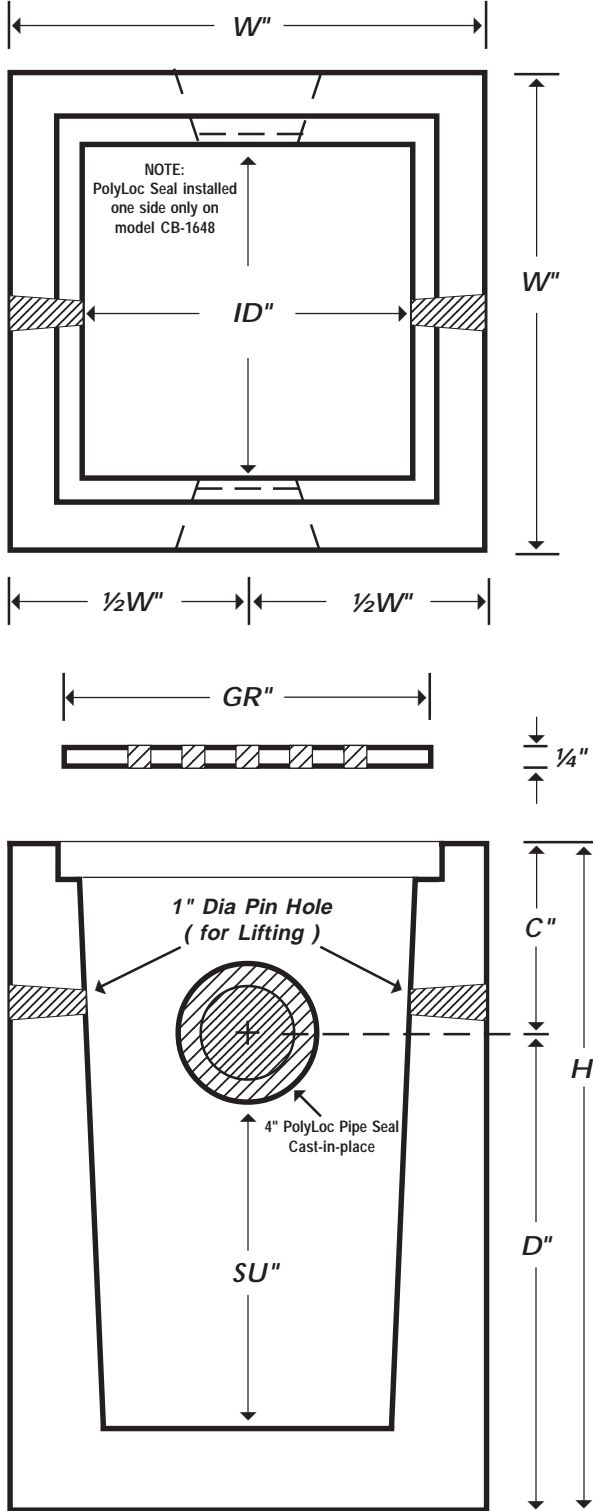
Date : July 3, 2006
 Model : CB-1217D, CB-1623D, CB-1648
 Capacity: *Light Duty

Notes:

- 1) Cement Type is Normal Portland unless noted otherwise.
- 2) Min 28-day Concrete Strength is 32 MPA

Dimensions & Weights

Drawings are dimensional (not necessarily to scale)
 with unit of measure in INCHES unless otherwise noted.

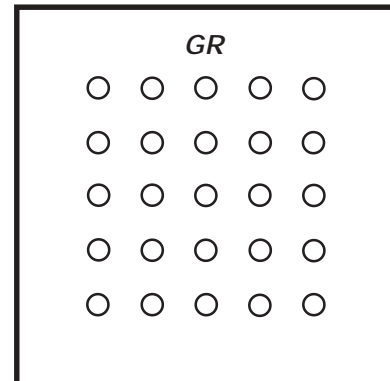


	CB-1217D	CB-1623D	CB-1648
H	17 1/2	24	48
W	14	19	19
ID	11	15	15
C	7 1/2	8	18
D	10	16	30
SU	7	12 1/2	26 1/2
GR	12	16	16
#	25	49	49
Z	1/2	3/4	3/4
Wt	120 lbs.	300 lbs.	605 lbs.

Grate

... 1/4" Steel or Stainless Steel plate w/
 number (#) & size (Z) of holes stamped as
 indicated in above chart

- CB-G12 12" Sq. Perf. Steel Grate 10 lbs.
- CB-G16 16" Sq. Perf. Steel Grate 17 lbs



* Not intended for use in areas of vehicular traffic loading.